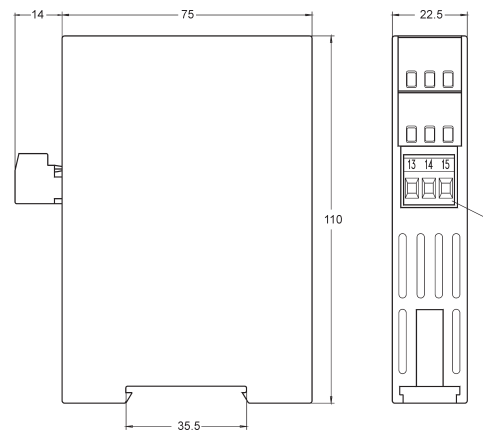


Product Information

Isolating Switching Repeater TS500



Dimensions



DIN rail mounting TS35

Characteristics

Isolating switching repeater TS500 can be used for monitoring and controlling digital signals. The input is suitable for switching contact, proximity switch acc. Namur DIN EN 60947-5-6, or passive electronic outputs of other devices. The output can be delivered as relay SPDT or transistor (voltage free).

Technical data

Power supply

Supply voltage : 230 V AC $\pm 10\%$, 47..63 Hz
 24 V $\pm 15\%$

Power consumption : < 2 W

Operating temperature : -10..+55 °C

CE-conformity : EN 61326-1:2013; EN 60664-1:2007

Inputs

Namur (acc. to DIN EN 60947-5-6)

- No load voltage : approx. 8 V
- max. current : approx. 8 mA
- Switching points : inactive ≤ 1.2 mA, active ≥ 2.1 mA, hysteresis approx. 0.5 mA

- Break of wire : ≤ 0.1 mA
- Short circuit : ≥ 7.5 mA

Switching contact

Output

Relay SPDT : < 253 V AC < 100 VA < 2 A;
 < 100 V DC < 50 W < 2 A

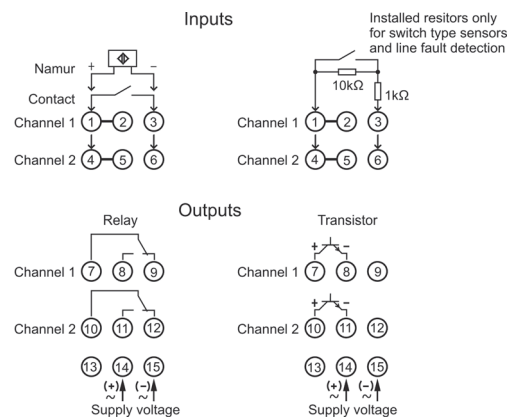
- max. frequency : 5 Hz
- max. delay : 20 ms (2-channel: 50 ms)
- Transistor : max. 35 V DC, max. 50 mA, voltage free (short-circuit-proof)

- voltage drop : ≤ 3.5 V active (at load 50 mA)
- max. frequency : 2 kHz

Case

- Design : standard case, Makrolon 8020 UL94V-1
- Weight : approx. 200 g
- Electrical connection: screw terminals, max. 2.5 mm²
- Protection class : case IP30, terminals IP20 acc. to BGV A3

Connection diagram



Ordering code

TS500 - 1. - 2. - 3.

1. Model	00	Standard
2. Output	1R	1-channel relay output
	2R	2-channels relay output
	1T	1-channel transistor output
	2T	2-channels transistor output
3. Supply voltage	0	230 V AC $\pm 10\%$
	5	24 V DC $\pm 15\%$

Note:

The TS500 is also available as Ex-ia.